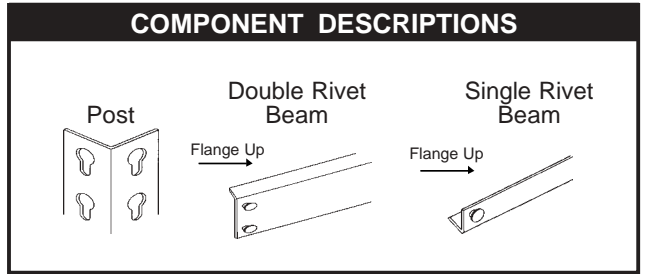


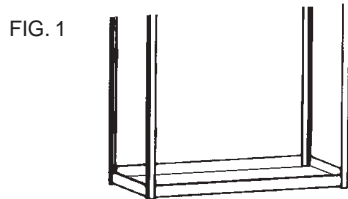
SERIES A (Low Profile) ASSEMBLY INSTRUCTIONS

SAMPLE MODEL NUMBER CODE	
Series 200A _____	AH7-4824-84W
Heavy Duty Shelving (11 Gauge) _____	
Number of Shelves _____	
Shelf Width in Inches _____	
Shelf Depth in Inches _____	
Unit Height in Inches _____	
Particle Board Decking Included _____	



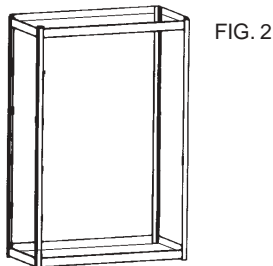
STEP 1: Assemble Bottom Shelf

- Components: 4 Posts (P)
2 Double Rivet Beams (DR)
These are the steel beams that support the front and back of the shelf.
2 Double Rivet Beams (DR)
These are the steel beams that support the sides of the shelf.
- Assemble the bottom shelf by inserting the Double Rivet Beams (flange up, see drawing top right) into the bottom two keyholes of each post. Tap beams securely into keyholes of posts with a rubber mallet. See Figure 1.



STEP 2: Assemble Top Shelf

- Components: 2 Double Rivet Beams (DR)
These are the steel beams that support the front and back of the shelf.
2 Double Rivet Beams (DR)
These are the steel beams that support the sides of the shelf.
- Build the top shelf by inserting the Double Rivet Beams (flange up) into the top two keyholes of each post. See Figure 2.



STEP 3: Middle Shelves (Standard Capacity)

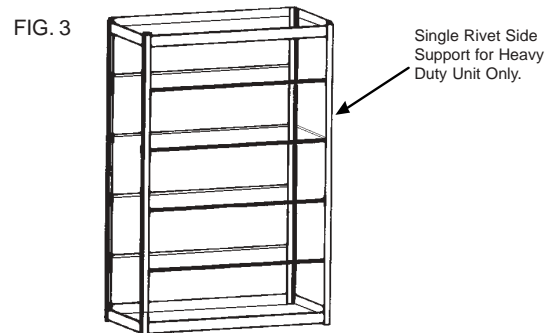
- Components: 2 Single Rivet Beams
These are front & back Supports, 2 per shelf.
- Determine the shelf spacing. Insert each Single Rivet Beam into keyhole (flange up). *Please note SR side beams are not included with a Single Rivet unit.

(CON'T)

OR

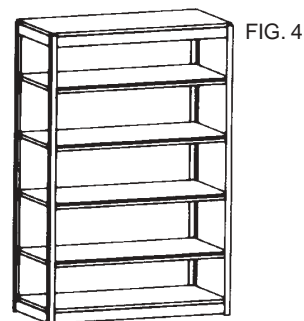
STEP 3B: Middle Shelves (Heavy Duty Capacity)

- Components: 2 Single Rivet Beams (DR)
These are front & back supports
2 Single Rivet Beams (SR)
These are side supports, 2 per shelf.
- Determine the shelf spacing. Insert each Single Rivet Beam, Front & Back Supports into the keyhole (flange up). Insert each Single Rivet Beam, Side Supports, into the keyhole (flange up). See Figure 3.



STEP 4: Particle Board Decking

- Place one particle board decking on each shelf. See Figure 4.



Special Notes:

- It is recommended that a rubber mallet be used to hammer the beam securely into place.
- Cardboard or carpet can be used to protect flooring.